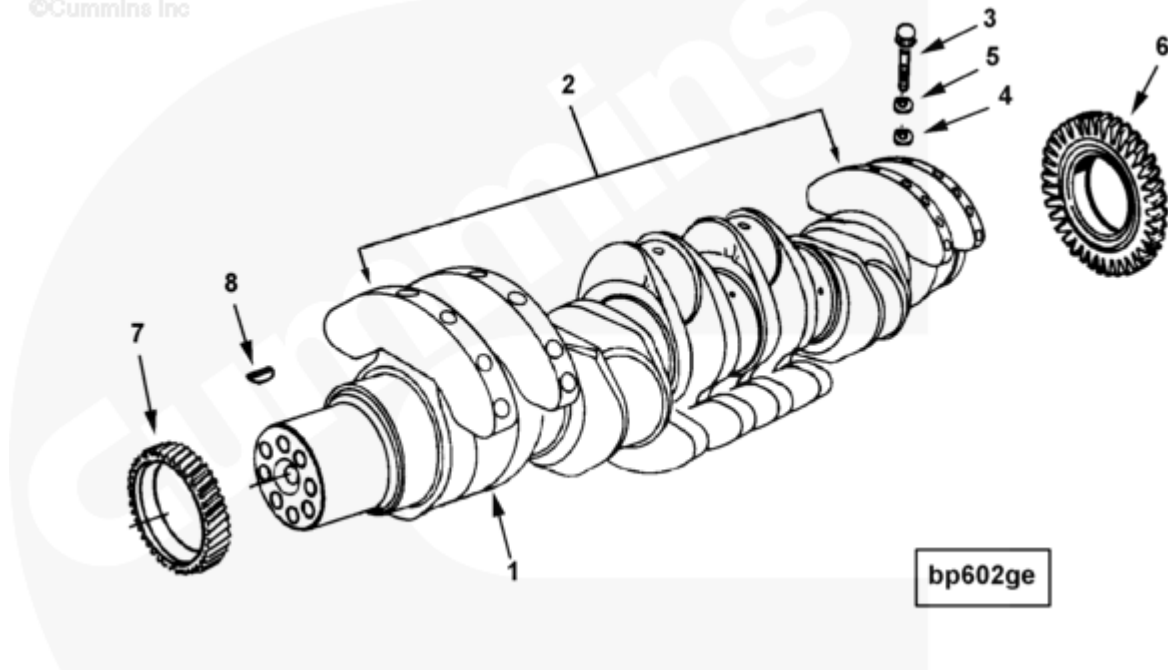




## Parts Catalog - Option Detail

Electronic Parts Catalog - Option Detail				
Option	Group	Graphic	Film Card	Date
BP6732-04	01.02	bp602ge	K38	27-JUN-05
<b>Engines</b>	GTA38, K38, KTA38GC CM558, QSK38 CM2150 K106, QSK38 CM2150 MCRS, QSK38 CM850 MCRS			

©Cummins Inc



[SMALL](#) | [MEDIUM](#) | [LARGE](#)

Cart	Ref No	Part Number	Part Description	Required	Remarks
<a href="#">View My Cart</a>					
		<a href="#">BP6732-04</a>	Crankshaft		<a href="#">Non certified crankshaft...(More)</a>
					assembly with 3.05in.
					cranknose bolt circle
					diameter and rolled threads.
					For use when rear gear train
					and rear
					Hydraulic pump drives are not
					specified.
					Has no provision for

					adaptation.
<input type="checkbox"/>		<a href="#">4099004</a>	Engine Crankshaft	1	
	1	<a href="#">4099003</a>	Engine Crankshaft	1	
<input type="checkbox"/>	2	<a href="#">3176216</a>	Crankshaft Counter Weight	8	
<input type="checkbox"/>	3	<a href="#">219153</a>	Fracture Resistant Screw	16	
<input type="checkbox"/>	4	<a href="#">3176218</a>	Ring Dowel	16	
<input type="checkbox"/>	5	<a href="#">205126</a>	Plain Washer	16	5/8 in.
<input type="checkbox"/>	6	<a href="#">3175255</a>	Crankshaft Gear	1	
<input type="checkbox"/>	7	<a href="#">3628798</a>	Crankshaft Gear	1	
<input type="checkbox"/>	8	<a href="#">206904</a>	Plain Woodruff Key	1	